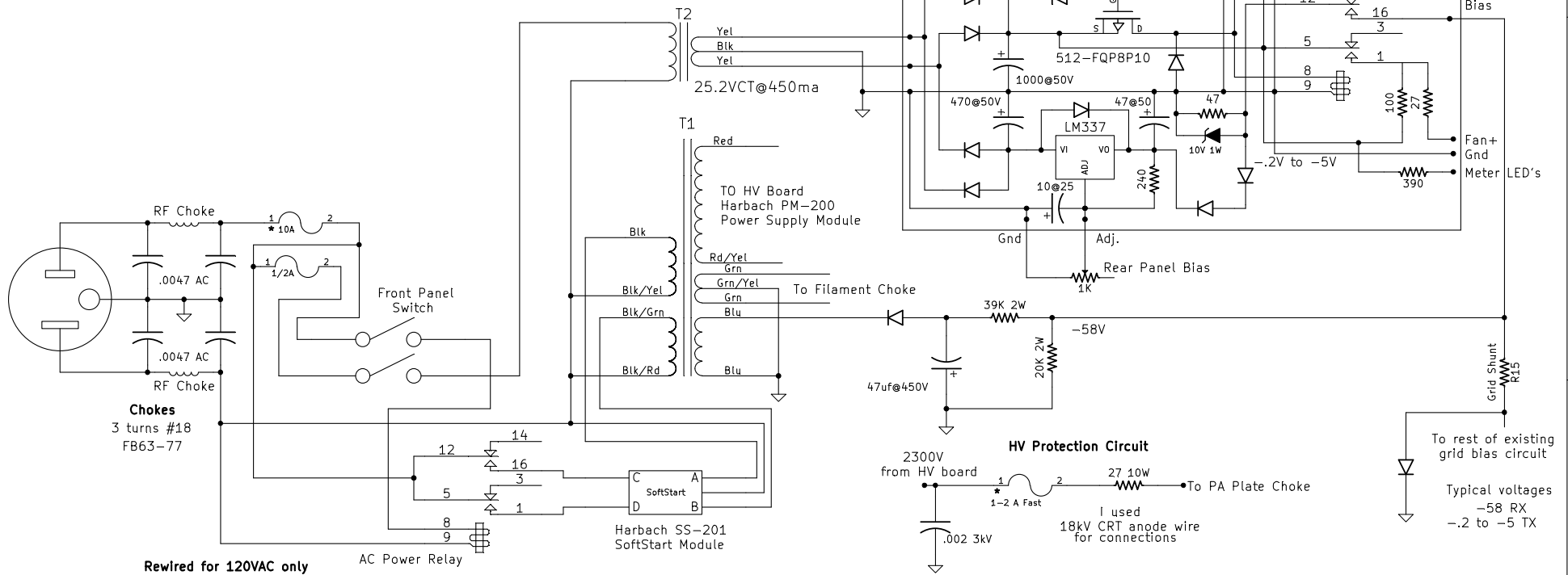


**Control Board Layout and Connections**



Rewired for 120VAC only

T2 - Radio Shack 273-1366 or equiv.

**Control and Antenna Relay**

Relays Mouser part numbers  
All diodes except D18 1N4007  
\* Increase fuse size as needed

653-G2R-2S-DC12S  
MFG Part No:G2R-2-S-DC12(S)  
G2R-2-S-DC12(S)  
Omron General Purpose Relays

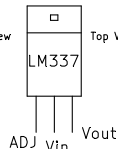
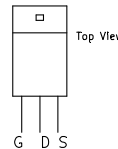
**Power Control Relay**

512-FQP8P10  
528-7870-11  
MFG Part No:782XBXC-120A  
782XBXC-120A  
Magnecraft / Schneider Electric

**Relay Socket**

528-16-782C1  
MFG Part No:16-782C1  
16-782C1

512-FQP8P10



File: SB200.sch	
Sheet: /	
<b>Title: SB200 Modifications Doug Crompton, WA3DSP</b>	
Size: A4	Date: 14 oct 2013
KiCad E.D.A. eeschema (2012-01-19 BZR 3256)-stable	
Rev:	Id: 1/1